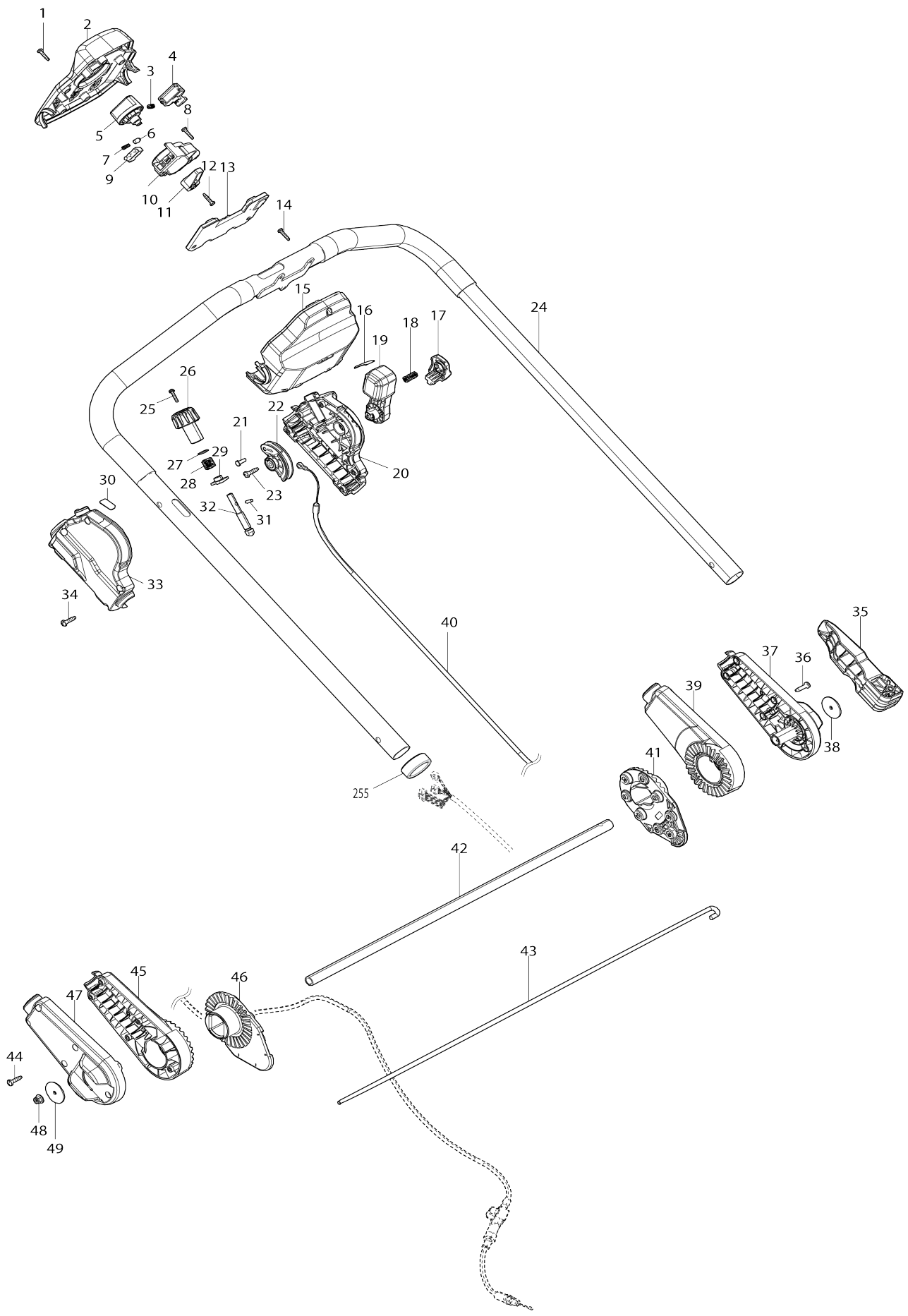
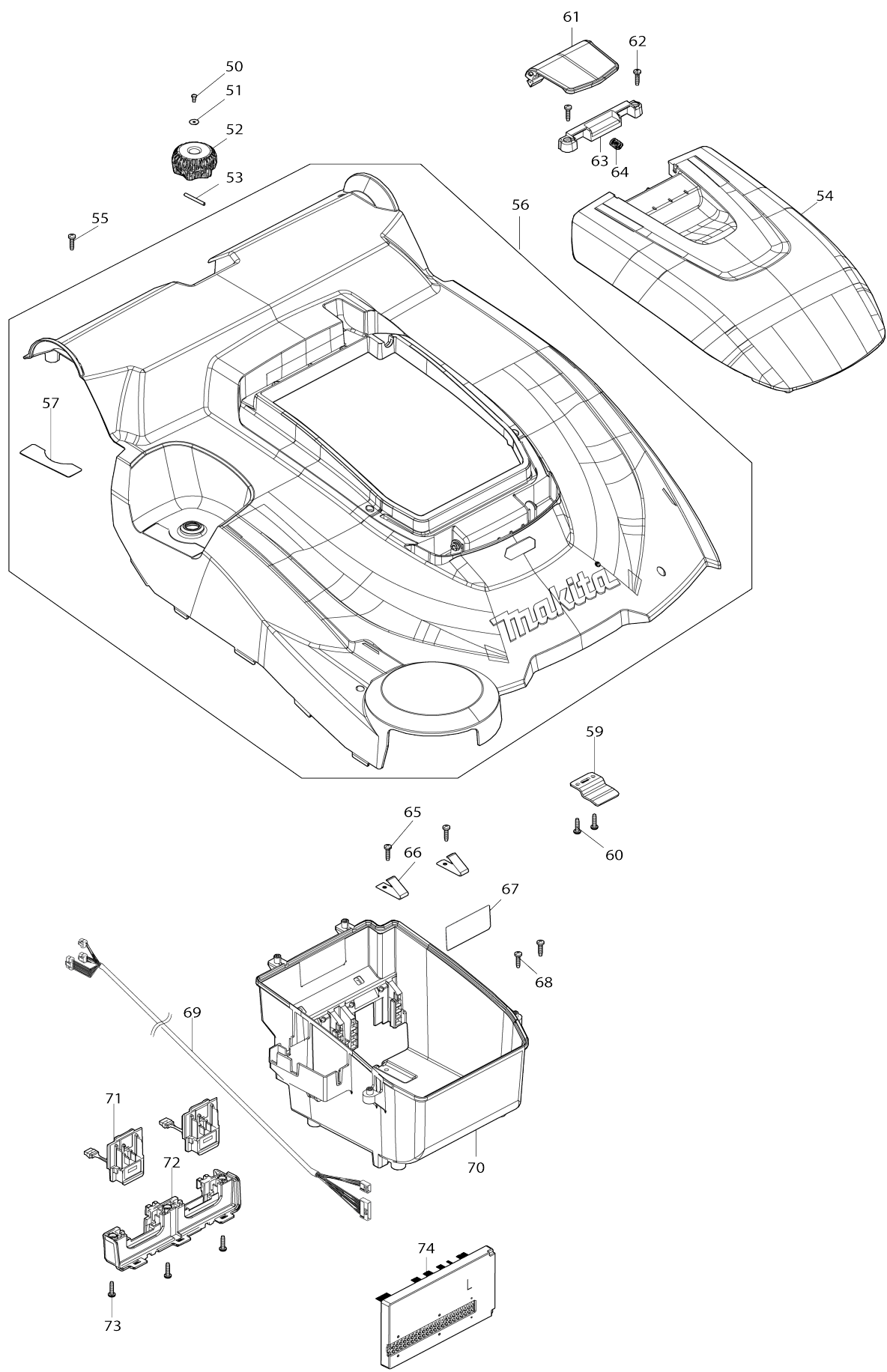


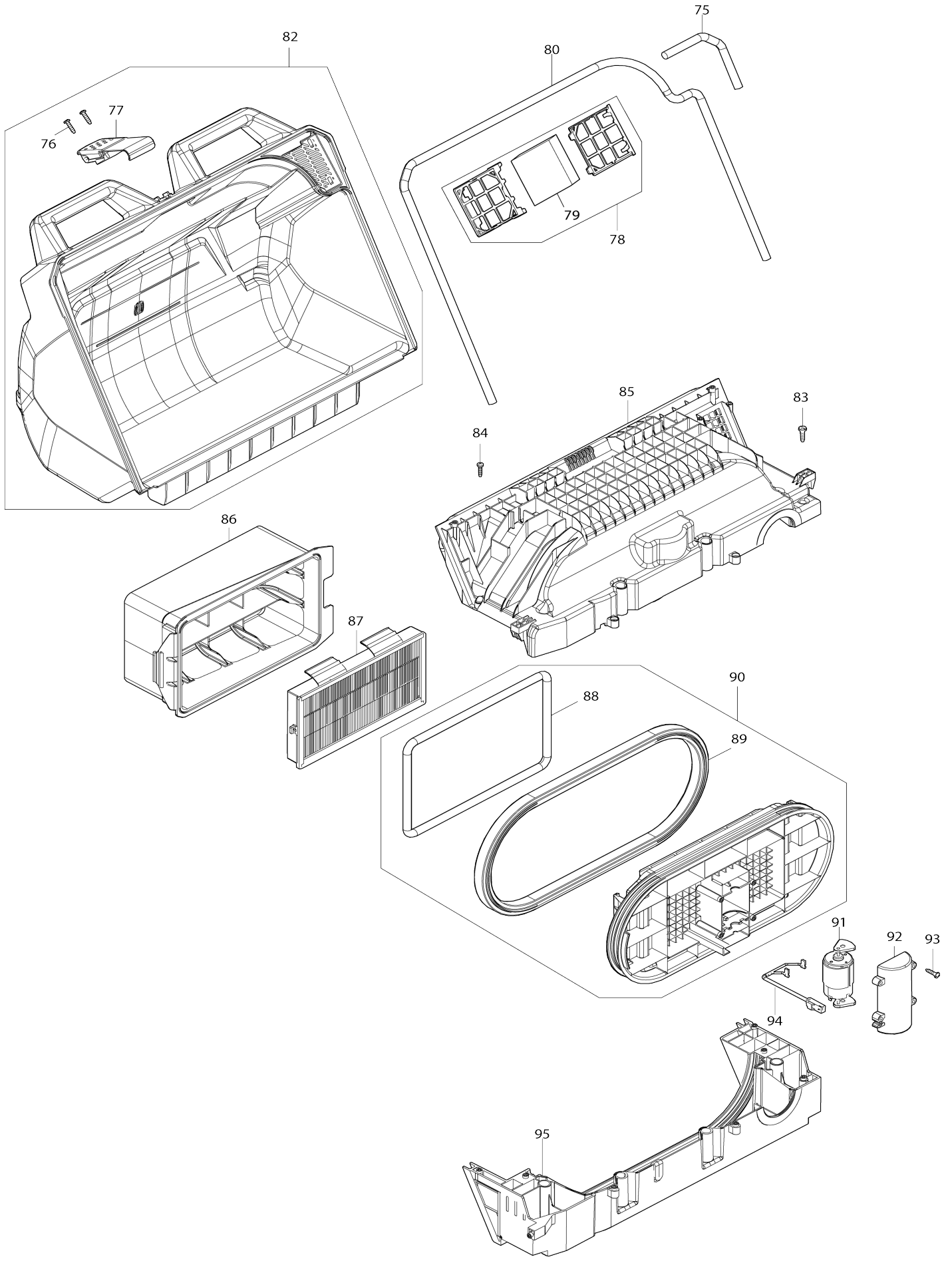
# Model No.VS001G Cordless Vacuum Sweeper



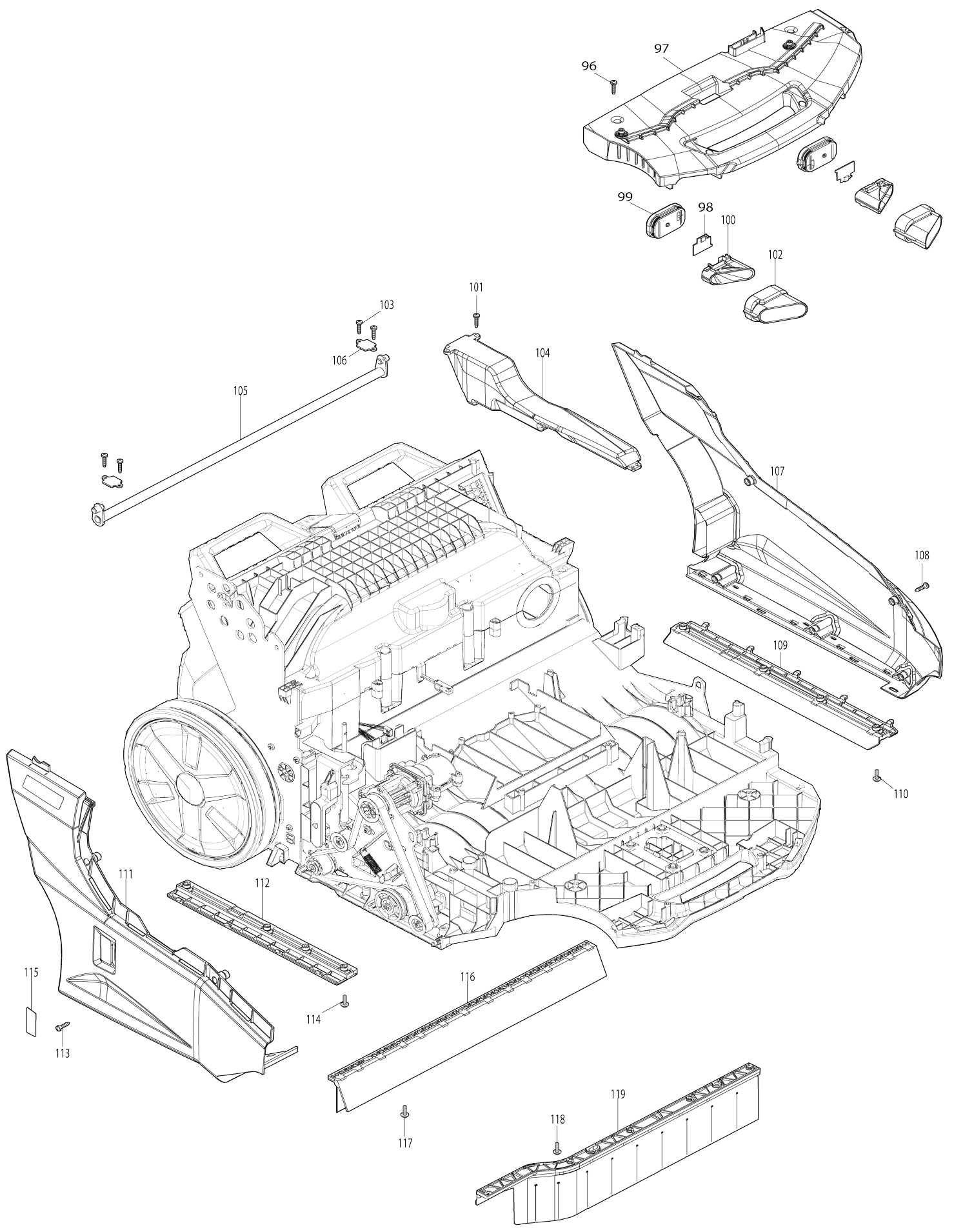
# Model No.VS001G Cordless Vacuum Sweeper



# Model No.VS001G Cordless Vacuum Sweeper

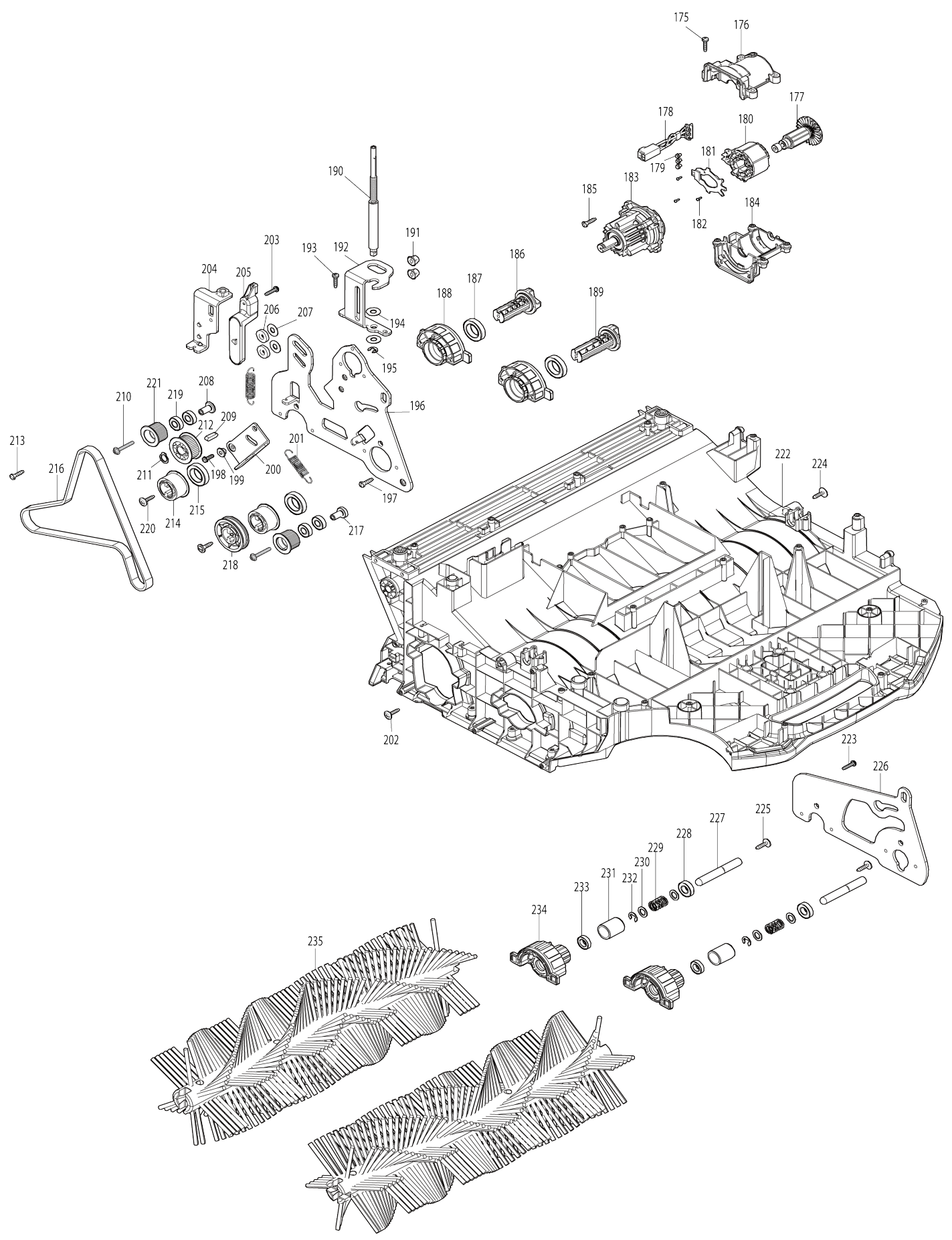


# Model No.VS001G Cordless Vacuum Sweeper

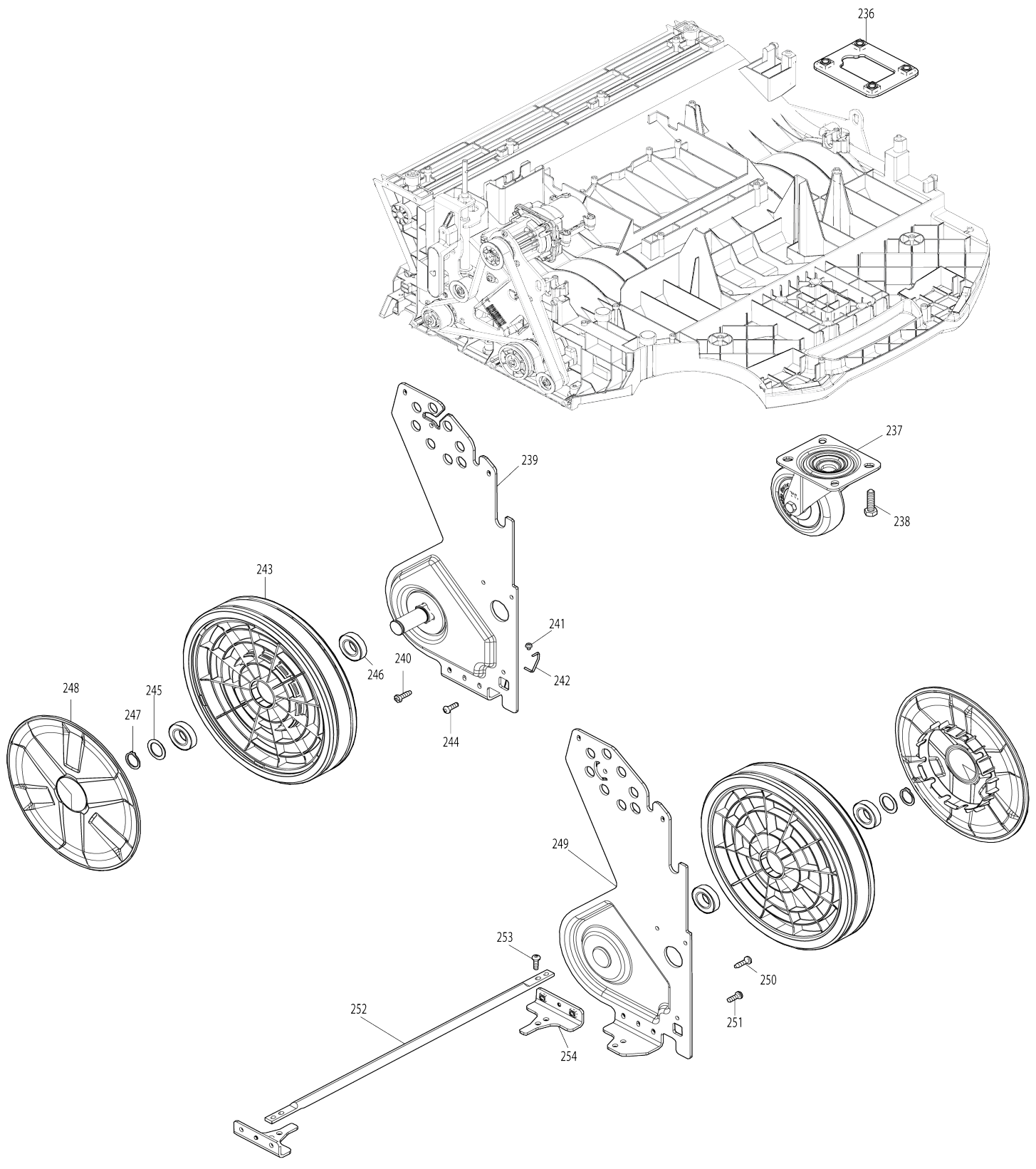




# Model No.VS001G Cordless Vacuum Sweeper



# Model No.VS001G Cordless Vacuum Sweeper





038	267136-0	Flat washer 5		1		
039	1830G6-3	Handle cam set		1		
039		INC. 37				
040	162C92-6	Link cable B		1		
041	413U40-9	Handle cam B		1		
042	327C59-3	Handle pipe		1		
043	327C60-8	Handle lever link M5		1		
044	265995-6	Binding head tapping screw 4X1 8		5		
045	1830G6-3	Handle cam set		1		
045		INC. 47				
046	413U40-9	Handle cam B		1		
047	1830G6-3	Handle cam set		1		
047		INC. 45				
048	252286-4	Collared hex. lock nut M5-8		1		
049	267136-0	Flat washer 5		1		
050	911007-0	Pan head screw M3X8		1		
051	253821-1	Flat washer 3		1		
052	413U60-3	Main brush dial		1		
053	268182-6	Pin 3		1		
054	413U57-2	Battery cover		1		
055	265995-6	Binding head tapping screw 4X1 8		7		
056	137135-5	Top cover assembly		1	*	
C10	422756-9	Sponge seal		1	*	
056		INC. 57			*	
056-1	137406-0	TOP COVER ASSEMBLY	<	1		
C10	422756-9	Sponge seal		1		
056-1		INC. 57				
057	8074E3-2	Operation indication label		1		
059	347B86-8	Top cover plate		1		
060	265995-6	Binding head tapping screw 4X1 8		2		
061	413U58-0	Latch		1		
062	265995-6	Binding head tapping screw 4X1 8		2		
063	413U59-8	Battery hook base		1		
064	234391-9	Compression spring 8		1		
065	265995-6	Binding head tapping screw 4X1 8		2		
066	232818-3	Leaf spring		2		
067	8143U6-5	Name plate VS001G		1		
068	265995-6	Binding head tapping screw 4X1 8		2		
069	699233-8	Power supply cord unit		1		
070	1830F8-2	Battery holder set		1		
C10	263005-3	Rubber pin 6		4		
070		INC. 72				
071	632R99-1	Terminal unit		2	*	
071-1	632W78-9	TERMINAL UNIT	<	2		
072	1830F8-2	Battery holder set		1		
C10	263005-3	Rubber pin 6		4		
072		INC. 70				

073	265995-6	Binding head tapping screw 4X18		3		
074	620J56-3	Controller		1		
075	422A72-5	Seal B		1		
076	265995-6	Binding head tapping screw 4X18		2		
077	162C93-4	Hook		1		
078	137060-0	Sponge case assembly		1		
078		INC. 79				
079	422B41-2	Sponge sheet		1		
080	422A71-7	Seal A		1		
082	137059-5	Dust container assembly		1		
082		INC. 76,77				
083	266021-4	Binding head tapping screw 5X20		4		
084	265995-6	Binding head tapping screw 4X18		7		
085	413U13-2	Duct upper		1		
086	162C89-5	Pre-filter		1		
087	162699-0	Main filter H		1	*	
087-1	191D12-9	Main filter H set	O	1		
088	422A68-6	Seal ring B		1		
089	422A69-4	Seal ring A		1		
090	137057-9	Filter holder assembly		1		
090		INC. 88,89				
091	141S69-0	Motor complete		1		
092	413U12-4	Motor cover		1		
093	265995-6	Binding head tapping screw 4X18		4		
094	638A81-6	Lead unit		1		
095	141S67-4	Duct lower complete		1		
096	265995-6	Binding head tapping screw 4X18		5		
097	413U04-3	Handle cover		1		
098	620J60-2	LED circuit		1	*	
098-1	620T95-3	LED CIRCUIT	O	1		
099	422A66-0	Rubber cap		2		
100	413U05-1	Reflector		2		
101	265995-6	Binding head tapping screw 4X18		4		
102	413U06-9	Lens		2		
103	265995-6	Binding head tapping screw 4X18		4		
104	162C91-8	Tube complete		1		
105	327C55-1	Brush plate link		1		
106	346525-3	Plate		2		
107	1830T8-0	Side cover set		1	*	
107		INC. 111,115			*	
107-1	1832B6-0	SIDE COVER SET	<	1		
107-1		INC. 111,115				
108	265995-6	Binding head tapping screw 4X18		5		
109	413U02-7	Side lip L		1		
110	911129-6	Pan head screw M4X16 WG		4		

111	1830T8-0	Side cover set		1	*		
111		INC. 107,115			*		
111-1	1832B6-0	SIDE COVER SET	<	1			
111-1		INC. 107,115					
112	413U01-9	Side lip R		1			
113	265995-6	Binding head tapping screw 4X1 8		5			
114	911129-6	Pan head screw M4X16 WG		4			
115	8074E5-8	Indication label		1			
116	413U03-5	Rear lip		1			
117	911129-6	Pan head screw M4X16 WG		5			
118	911129-6	Pan head screw M4X16 WG		5			
119	413U00-1	Front lip		1			
120	265995-6	Binding head tapping screw 4X1 8		9			
121	1830G2-1	Silencer set		1			
121		INC. 140					
122	422376-9	Support ring		1			
123	161804-6	Fan cover		1			
124	252268-6	Hex. nut M6		1			
125	322407-3	Washer 6		1			
126	241851-4	Fan 94		1			
127	313062-2	Flange		1			
128	265995-6	Binding head tapping screw 4X1 8		3			
129	456736-3	Fan base		1			
130	619517-8	Rotor		1			
131	629C31-4	Stator		1			
132	620J58-9	Controller B		1			
133	266490-9	Pan head tapping screw 2X6		3			
134	652069-6	Flat head screw M3X6		3			
135	1830G7-1	Motor housing set		1			
135		INC. 136					
136	1830G7-1	Motor housing set		1			
136		INC. 135					
137	632V04-2	Lead unit		1			
138	265995-6	Binding head tapping screw 4X1 8		4			
139	424837-5	Support A		1			
140	1830G2-1	Silencer set		1			
140		INC. 121					
141	265995-6	Binding head tapping screw 4X1 8		1			
142	265995-6	Binding head tapping screw 4X1 8		2			
143	347B83-4	Cable plate		1			
144	422A89-8	Cap		1			
145	413U29-7	Roller cover		1			
146	162C90-0	Link cable A		1			
147	413U28-9	Link cable roller		1			
148	265995-6	Binding head tapping screw 4X1 8		3			
149	256186-0	Pin 5		1			
150	941202-8	Flat washer 8		1			

151	961004-6	Retaining ring (EXT) S-8		1			
152	413U26-3	Roller		1			
153	413U25-5	Side brush holder		1	*		
153-1	4132S8-4	Side brush holder	<	1	*		
153-2	4134F7-7	SIDE BRUSH HOLDER	<	1			
154	911137-7	Pan head screw M4X20		2			
155	267491-0	Flat washer 4		2			
156	347B84-2	Pulley holder		1			
157	257A22-9	Sleeve 4		2			
158	265995-6	Binding head tapping screw 4X18		2			
159	222211-9	Guide pulley 6.2-19.7		2			
160	225110-4	Round belt 6-860		1			
161	211293-6	Ball bearing 6809LLB		1			
162	222210-1	Round pulley 6.2-149.6		1			
163	210229-2	Ball bearing 6808LLB		1			
164	265620-9	Flange tapping screw 4X18		5			
165	256267-0	Pin 3		1			
166	327C56-9	Side brush shaft		1			
167	232841-8	Compression spring 14		1			
168	941252-3	Flat washer 10		1			
169	961013-5	Stop ring (EXT) E-7		1			
170	210141-6	Ball bearing 6000DDW		1	*		
170-1	210332-9	Ball bearing 6000DDW	O	1			
171	413U27-1	Brush lock		1	*		
171-1	4133V0-7	BRUSH LOCK	<	1			
172	210141-6	Ball bearing 6000DDW		1	*		
172-1	210332-9	Ball bearing 6000DDW	O	1			
173	961013-5	Stop ring (EXT) E-7		1			
174	1830S6-7	Side brush repair set		1			
175	265995-6	Binding head tapping screw 4X18		4			
176	1830G8-9	Motor case set		1			
176		INC. 184					
177	619826-5	Rotor		1			
178	632V03-4	Lead unit		1			
179	652069-6	Flat head screw M3X6		3			
180	629C30-6	Stator		1			
181	620J59-7	Controller B		1			
182	266490-9	Pan head tapping screw 2X6		3			
183	122F46-3	Gear assembly		1			
184	1830G8-9	Motor case set		1			
184		INC. 176					
185	265995-6	Binding head tapping screw 4X18		4			
186	413U20-5	Pulley shaft R		1			
187	211333-0	Ball bearing 6804LLU		2			
188	413U19-0	Bearing holder R		2	*		
188-1	413U19-0	Bearing holder R	S	1			
189	413U22-1	Pulley shaft F		1			
190	327C53-5	Dial shaft		1			
191	252301-4	Hex. flange lock nut M6-10		2			

192	347B81-8	Dial base		1		
193	265995-6	Binding head tapping screw 4X18		2		
194	253139-0	Flat washer 8		2		
195	961012-7	Stop ring (EXT) E-6		1		
196	347B78-7	Brush plate R		1		
197	265995-6	Binding head tapping screw 4X18		4		
198	911123-8	Pan head screw M4X14 WR		2		
199	257A19-8	Collared sleeve 4C		2		
200	347B79-5	Tension plate		1		
201	232839-5	Tension spring 9		2		
202	251599-0	Binding head tapping screw 4X18		1		
203	265995-6	Binding head tapping screw 4X18		1		
204	347B80-0	Height adjust plate		1		
205	413U23-9	Height indicator		1		
206	262212-5	Rubber ring 8		2		
207	253139-0	Flat washer 8		2		
208	257A20-3	Collared sleeve 4B		1		
209	254220-0	Key 5		1		
210	911159-7	Pan head screw M4X30 WG		2		
211	961052-5	Retaining ring (EXT) S-12		1		
212	222206-2	Pulley 14-33.6		1		
213	265995-6	Binding head tapping screw 4X18		3		
214	222208-8	Pulley 17.5-33.6		2		
215	211333-0	Ball bearing 6804LLU		2		
216	225109-9	Synchro belt 12-699		1	*	
216-1	225109-9	Synchro belt 12-699	O	1		
217	257A18-0	Collared sleeve 4A		1		
218	222209-6	Round pulley 6.2-45.7		1		
219	211166-3	Ball bearing 698DDW		4		
220	265620-9	Flange tapping screw 4X18		2		
221	222207-0	Pulley 17-26.0		2		
222	141V27-4	Body complete		1	*	
C10	8074F0-5	Caution label		1	*	
222-1	1413T9-2	BODY COMPLETE	S	1		
C10	8074F0-5	Caution label		1		
C20	422D03-2	SPONGE SHEET		2		
223	265995-6	Binding head tapping screw 4X18		4		
224	251599-0	Binding head tapping screw 4X18		1		
225	265620-9	Flange tapping screw 4X18		2		
226	347B82-6	Brush plate L		1		
227	327C54-3	Brush shaft		2		
228	210069-8	Ball bearing 6900DDW		2		
229	234245-0	Compression spring 12		2		
230	267047-9	Flat washer 10		4		
231	257A21-1	Sleeve 17		2		
232	961013-5	Stop ring (EXT) E-7		2		
233	211485-7	Ball bearing 6800LLU		2		

234	413U24-7	Bearing holder L		2	*		
234-1	413U24-7	Bearing holder L	S	1			
235	183055-9	Main brush repair set		2			
236	347B77-9	Caster plate		1			
237	162C86-1	Caster 100		1			
238	921452-1	Hex. head bolt M8X30		4			
239	162D12-6	Tire plate R		1			
240	266021-4	Binding head tapping screw 5X20		3			
241	911103-4	Pan head screw M4X6 WR		1			
242	649153-6	Earth line 90		1			
243	413U08-5	Rear tire		2			
244	265487-5	Hex. socket button head bolt M5 X16		2			
245	267380-9	Flat washer 20		2			
246	211323-3	Ball bearing 6904LLU		4			
247	961060-6	Retaining ring (EXT) S-20		2			
248	413U09-3	Rear tire cap		2			
249	162D13-4	Tire plate L		1			
250	266021-4	Binding head tapping screw 5X20		3			
251	265487-5	Hex. socket button head bolt M5 X16		2			
252	327C51-9	Dust container shaft		1			
253	265487-5	Hex. socket button head bolt M5 X16		4			
254	347C05-0	Shaft plate		2			
255	688289-6	Line filter		1			
256	422D03-2	SPONGE SHEET		4	*		
257	1413U1-5	BEARING HOLDER L COMPLETE	S	1			
C10	422D03-2	SPONGE SHEET		1			
258	1413U2-3	BEARING HOLDER R COMPLETE	S	1			
C10	422D03-2	SPONGE SHEET		1			
259	4135H8-5	BRUSH PLATE		1			
260	265995-6	Binding head tapping screw 4X18		2			
E01	8074F1-3	Sound label		1			
F01	1913F5-2	Multi adapter set		1			
F02	1913F7-8	Dust bag set		1			
F03	191D12-9	Main filter H set		1			

Please state Parts No. when your order.

Print Date 01/26/2026